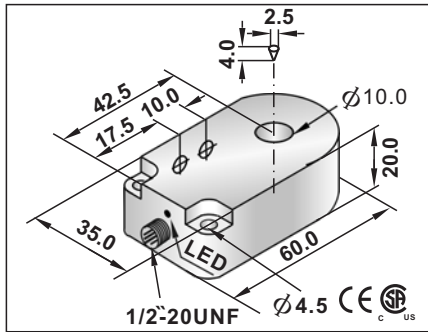


10MM、15MM、21MM

AC RING TYPE INDUCTIVE PROXIMITY SENSORS WITH CONNECTOR

10mm
○
-
PBT
●

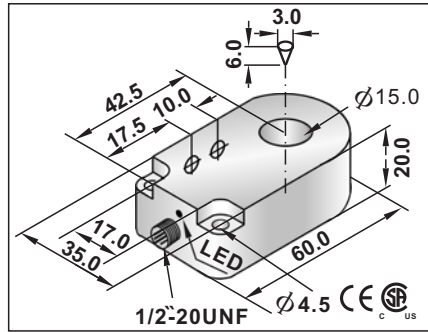


20~250VAC
-
<1.8mA
≤400mA
<1.8mA
5A(20ms)
5mA
<8V AC at 400mA
8HZ
-
-
<1.0% (Sr)
IP67
-25°C to 70°C
<10%(sr)
D=2.5mm;L=4mm
-
-
-
RFI>3V/m / EFT>1KV / ESD>4KV (contact)
IEC 60947-5-2,Part 7.4.1 / IEC 60947-5-2,Part 7.4.2

<u>RRP2-R1020A-AUL3</u>	58
<u>RRP2-R1020A-BUL3</u>	58

approx.50g

15mm
○
-
PBT
●

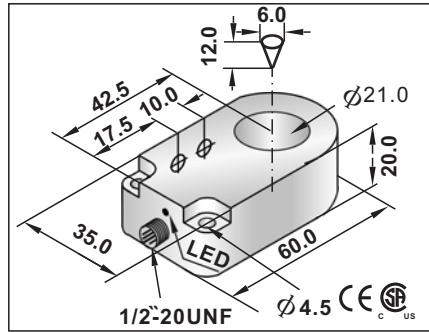


20~250VAC
-
<1.8mA
≤400mA
<1.8mA
5A(20ms)
5mA
<8V AC at 400mA
8HZ
-
-
<1.0% (Sr)
IP67
-25°C to 70°C
<10%(sr)
D=3mm;L=6mm
-
-
-
RFI>3V/m / EFT>1KV / ESD>4KV (contact)
IEC 60947-5-2,Part 7.4.1 / IEC 60947-5-2,Part 7.4.2

<u>RRP2-R1520A-AUL3</u>	58
<u>RRP2-R1520A-BUL3</u>	58

approx.48g

21mm
○
-
PBT
●



20~250VAC
-
<1.8mA
≤400mA
<1.8mA
5A(20ms)
5mA
<8V AC at 400mA
8HZ
-
-
<1.0% (Sr)
IP67
-25°C to 70°C
<10%(sr)
D=6mm;L=12mm
-
-
-
RFI>3V/m / EFT>1KV / ESD>4KV (contact)
IEC 60947-5-2,Part 7.4.1 / IEC 60947-5-2,Part 7.4.2

<u>RRP2-R2120A-AUL3</u>	58
<u>RRP2-R2120A-BUL3</u>	58

approx.44g

Note:
Coming Soon : Part numbers with underline

AC RING TYPE INDUCTIVE PROXIMITY
SENSORS WITH CONNECTOR

AC RING TYPE INDUCTIVE PROXIMITY SENSORS WITH CONNECTOR

43mm		
○		
-		
PBT		
●		
20~250VAC		
-		
<1.8mA		
≤400mA		
<1.8mA		
5A(20ms)		
5mA		
<8V AC at 400mA		
8HZ		
-		
-		
<1.0% (Sr)		
IP67		
-25°C to 70°C		
<10%(sr)		
D=9mm;L=18mm		
-		
-		
-		
RFI>3V/m / EFT>1KV / ESD>4KV (contact)		
IEC 60947-5-2,Part 7.4.1 / IEC 60947-5-2,Part 7.4.2		
RRP2-R4320A-AUL3	58	
RRP2-R4320A-BUL3	58	
approx.216g		

AC RING TYPE INDUCTIVE PROXIMITY SENSORS WITH CONNECTOR